

## Variable bed lengths and milling head options offer enhanced versatility.

### Quality Machine Design with Power-Packed Performance

- Precision machined dovetail ways and adjustable gibs provide smooth accurate travel.
- All gears and drives are permanently lubricated and sealed to allow operation in any position.

### Powerful

- Hydraulic, pneumatic, and electric motors are available to provide power for milling spindle.
- Feed options include manual, electric, and pneumatic.
- Optional HSK spindle.

### Versatile

- Two different milling head options are available; the ¾-inch Weldon shank spindle, and the flexible HSK 40A spindle.
- 120V and 230V electric feed options are available in addition to manual feed for fine adjustment.
- The electric feed option provides infinitely variable rates from 0 to 20 IPM, with push-button rapid traverse.
- Forward, neutral and reverse modes are controlled by a simple shift lever.

### Rigid and Durable

- Compact yet rigid design for hard to reach and limited clearance applications.



### Flexible

- Cross slide allows mounting of milling spindle on either side of the bed.
- An extended ram may be used in conjunction with the more powerful and versatile HSK spindle.
- The optional HSK milling head swivel plate accessory allows 360° range of spindle angles
- Optional sub-plates are available for extra bed rigidity and installation versatility.

### Quick and Easy Setup

- The PM4200 3-axis portable milling machine provides precise and versatile on the job milling capabilities. It is designed to be attached either to the work piece or to a support structure beside it.
- Beds are available in 20, 49 and 78 inch (508, 1244.6 and 1981.2 mm) travel.

### Applications Include:

- The PM4200 is commonly used for milling large cumbersome parts.
- Many customers use the PM4200 machines when welding up and re-machining worn parts on production machinery like stamping presses.
- Long motor mount slots are easily machined, often without dismantling since the mill can be mounted right on the workpiece.
- Motor mounts and pump bases are easily machined, especially in tight locations.

oficina@vendo.com.pe

# SPECIFICATIONS

	US	Metric
Bed Length	29, 58 or 87 inches	736.6, 1473.2 or 2209.8 mm
Bed Travel (X Travel)	20, 49 or 78 inches	508.0, 1244.6 or 1981.2 mm
Cross Slide Travel (Y-Axis)	8 inches (Weldon)	203.2 mm
	12 inches (HSK)	304.8 mm
Spindle Reach from edge of bed	8.85 inches (Weldon)	224.8 mm
	12 inches (HSK)	304.8 mm
Tool Head Vertical Travel	3 inches (Weldon)	76.2 mm
	4 inches (HSK)	101.6 mm
No Load Spindle Speed		
Weldon Electric	230-525 RPM	
Weldon Hydraulic	282-696 RPM	
Weldon Pneumatic	Up to 510 RPM	
HSK Electric	Up to 800 RPM	
HSK Hydraulic	369-1006 RPM	
HSK Pneumatic	Up to 1100 RPM	
Spindle Size	0.75 inch (Weldon) 40A (HSK)	19.1 mm
Milling Head Gearbox Ratio	2.15:1 (Weldon Spindle)	
	6.25:1 (HSK Spindle) Electric	
	1:1 (HSK Spindle) Hydraulic	
	1:1 (HSK Spindle) Pneumatic	
Spindle Power		
3/4" Weldon Shank		
120V or 230V Electric	1 HP	0.75 kW
Hydraulic Motor Assemblies	J Series with 24 inch (609.6 mm) hose and QD Min Motor RPM @1 gpm (3.8 L/min) Max Motor RPM @5.5 gpm (20.8 L/m)	
65263 0.79 in <sup>3</sup> (13 cm <sup>3</sup> ) J SERIES	116	696
65094 1.21 in <sup>3</sup> (19.8 cm <sup>3</sup> ) J SERIES	81	469
65095 1.93 in <sup>3</sup> (31.6 cm <sup>3</sup> ) J SERIES	46	283
Pneumatic *	1.55 HP	1.15 kW
HSK Spindle		
120V or 230V Electric	1.85 HP	1.38 kW
Hydraulic	J Series with 24 inch (609.6 mm) hose and QD Max Motor RPM @1 gpm (3.8 L/min) Min Motor RPM @5.5 gpm (20.8 L/m)	
65094 (1.21 in <sup>3</sup> (19.8 cm <sup>3</sup> ) J SERIES)	175	1009
65095 (1.93 in <sup>3</sup> (31.6 cm <sup>3</sup> ) J SERIES)	99	606
68455 Pneumatic Right Angle *	1.55 HP	1.15 kW
68584 Pneumatic Direct Drive *	1.35 HP	1.01 kW
* Air motor requires 32 FT <sup>3</sup> /min (0.9m <sup>3</sup> /min) at	90 PSI	550 kPa

All dimensions should be considered reference. Contact your Climax Representative for precision dimensions. Specifications are subject to change without notice. There are no systems or components on this machine that are capable of producing hazardous EMC, UV or other radiation hazards. The machine does not use lasers nor does it create hazardous materials such as gasses or dust.

## Available Standard Options

**Bed Lengths** 29, 58, or 87 inches (736.6, 1473.2 or 2209.8 mm)

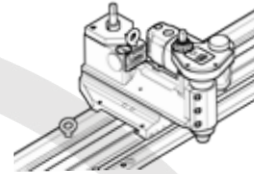
**Rams** Weldon Top Slide  
 HSK Extended Ram  
 Blank Tool Post

**Spindles** Weldon 3/4-inch Spindle  
 HSK 40A Spindle

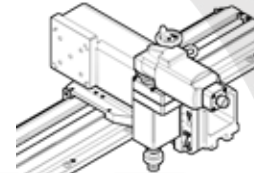
Spindle drive available in electric, hydraulic and pneumatic versions.

Basic configuration includes:

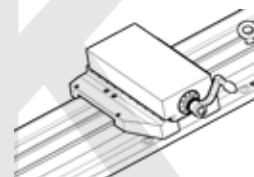
- Bed
- Top slide (inch or metric)
- Gearbox
- Spindle & quill assembly (inch or metric)
- Vertical adjustment leadscrew (inch or metric)
- Cross slide
- Leadscrew
- Feed assembly (manual, pneumatic, or electric)
- Spindle motor (electric, pneumatic, or hydraulic)



Weldon Top Slide



HSK Extended Ram



Blank Tool Post

## Dimensions

		US	Metric
<b>Overall Length</b>		bed length + 8.8 inches	bed length + 223.5 mm
<b>Overall Width</b>	Weldon	13.22 - 20.22 inches	335.8 - 513.6 mm
	HSK	28.5 inches	723.9 mm
<b>Overall Height with electric motor</b>	Weldon	13.6 - 16.6 inches	345.4 - 421.6 mm
	HSK	17.6 - 21.6 inches	447.0 - 548.6 mm

## Weight (without motor)

		US	Metric
<b>Bed lengths</b>	29 inch (736.6 mm) Weldon	332 lb	151 kg
	29 inch (736.6 mm) HSK 40A	381 lb	173 kg
58 inch (1573.2 mm)	Weldon	544 lb	248 kg
	HSK 40A	593 lb	270 kg
87 inch (2209.8 mm)	Weldon	710 lb	323 kg
	HSK 40A	759 lb	345 kg

All dimensions should be considered reference. Contact your Climax Representative for precision dimensions. Specifications are subject to change without notice. There are no systems or components on this machine that are capable of producing hazardous EMC, UV or other radiation hazards. The machine does not use lasers nor does it create hazardous materials such as gasses or dust.

# TOOL CONFIGURATIONS

Configure your PM4200:

- 1 Select a Base Unit
  - 2 Select Shipping Containers
  - 3 Select Main Bed Feed Control
  - 4 Select a Topslide, Spindle Drive or Extended Ram Assembly
  - 5 Select HSK Milling Head Assembly
  - 6 Select Tooling
  - 7 Select Collets
  - 8 Select Hydraulic Motor for Spindle
  - 9 Select HPU
  - 10 Select Hose, Pendant, and Cable Assemblies (2-Axis)
- To generate the correct part number for the machine, simply circle the part number needed in each step, and contact your Climax representative.

## 1 Base Unit (w/o Leadscrew)

(Includes bed assembly, tool kit, and operating manual)

- 20 Inches (508 mm) of travel, 29 inch (736.6 mm) bed **65206**
- 49 Inches (1244.6 mm) of travel, 58 inch (1473.2 mm) bed **65207**
- 78 Inches (1981.2 mm) of travel, 87 inch (2209.8 mm) bed **65208**

## 2 Shipping Containers

- Wood Crate for 20 Inch (508.0 mm) Travel Bed **65084**
- Metal Container for 20 Inch (508.0 mm) Travel Bed **65403**
- Wood Crate for 49 Inch (1244.6 mm) Travel Bed **65085**
- Metal Container for 49 Inch (1244.6 mm) Travel Bed **65404**
- Wood Crate for 78 Inch (1981.2 mm) Travel Bed **69211**
- Metal Container for 78 Inch (1981.2 mm) Travel Bed **65405**

## 3 Main Bed Feed Control

[20 Inch \(508.0 mm\) Travel Bed w/Leadscrew](#)

- 120V Feed Assembly **72057**
- 230V Feed Assembly **65359**
- Manual Feed Assembly **65305**
- Pneumatic Feed Assembly **65309**
- Bearing Block (does not include feed or handwheel) **65353**

[49 Inch \(1244.6 mm\) Travel Bed w/Leadscrew](#)

- 120V Feed Assembly **72058**
- 230V Feed Assembly **65360**
- Manual Feed Assembly **65306**
- Pneumatic Feed Assembly **65310**
- Bearing Block (does not include feed or handwheel) **65354**

[78 Inch \(1981.2 mm\) Travel Bed w/Leadscrew](#)

- 120V Feed Assembly **72059**
- 230V Feed Assembly **65361**
- Manual Feed Assembly **65307**
- Pneumatic Feed Assembly **65311**
- Bearing Block (does not include feed or handwheel) **65355**

## 4 Topslide, Spindle Drive or Extended Ram Assembly

[Electric](#)

- 120V Weldon Shank Topslide Assembly - INCH **65217**
- 120V Weldon Shank Topslide Assembly - METRIC **65218**
- 230V Weldon Shank Topslide Assembly - INCH **65219**
- 230V Weldon Shank Topslide Assembly - METRIC **65220**

[Hydraulic](#)

- Weldon Shank Topslide Assembly - INCH **65221**
- Weldon Shank Topslide Assembly - METRIC **65222**

[Pneumatic](#)

- Weldon Shank Topslide Assembly - INCH **65223**
- Weldon Shank Topslide Assembly - METRIC **65224**

[Extended RAM Assembly \(Only for HSK Milling Head\)](#)

- Extended RAM Assembly 12 inch (304.8 mm) Travel **71970**

[Tool Post Blank](#)

- Tool Post Blank Slide Assembly **38167**

## 5 HSK Milling Head Assembly

[\(Only for Extended RAM Assembly\)](#)

- 120V Electric HSK 40A Milling Head Assembly (w/motor) **64667**
- 230V Electric HSK 40A Milling Head Assembly (w/motor) **66342**
- Hydraulic HSK 40A Milling Head Assembly **65262**
- Pneumatic HSK 40A Milling Head Assembly - Right Angle **68455**
- Pneumatic HSK 40A Milling Head Assembly - Direct Drive **68584**

## 6 Tooling

[HSK Taper](#)

- HSK 40A Taper 3 Inch (76.2 mm) Face Mill w/inserts **64984**
- HSK 40A Taper Collet Holder ER-32, 0.08 - 0.81 Inch (2.0 - 20.6 mm) **64985**
- Square Carbide Inserts 0.528 inch **47229**

[Weldon Shank Inch](#)

- Weldon Shank Face Mill Kit 2 x ¾ Inch **39634**
- Weldon Shank Fly Cutter 2-½ inch Dia. Head x ¾ Inch **20713**
- Carbide Inserts (SEHW1204AFN KC725M) **39631**

[Weldon Shank Metric](#)

- Weldon Shank Face Mill 2 X 20 mm **43985**
- Weldon Shank Fly Cutter 2-¼ Inch (57.2 mm) Dia. Head x 20 mm **31625**
- Carbide Inserts (SEKT1404AEENGP2 KC725M) **66356**

## 7 Collets

- Collet ER-32, ¾ - INCH **64986**
- Collet ER-32, 20 mm - METRIC **66344**
- Collet Set ER-32, ½, 13/16, ¼ Inch Increments - INCH **66345**
- Collet Set ER-32, 3 - 20 mm, 1 mm Increments - METRIC **66346**

## 8 Hydraulic Motor for Spindle

[HSK](#)

- Hydraulic Motor Assembly 1.21 Inch<sup>3</sup> (19.8 cm<sup>3</sup>) **65094**
- Hydraulic Motor Assembly 1.93 Inch<sup>3</sup> (31.6 cm<sup>3</sup>) **65095**
- Hydraulic Motor Assembly 3.00 Inch<sup>3</sup> (49.2 cm<sup>3</sup>) **65096**

[Weldon](#)

- Hydraulic Motor Assembly 0.79 cu Inch (12.9 cu cm) **65263**
- Hydraulic Motor Assembly 1.21 cu Inch (19.8 cu cm) **65094**
- Hydraulic Motor Assembly 1.93 cu Inch (31.6 cu cm) **65095**

## 9 HPU (Pendant, Cables & Hoses required)

- 5HP HPU 200V-208V **66386**
- 5HP HPU 230V **66387**
- 5 HP HPU 380V - 415V **66389**
- 5HP HPU 460V **66388**
- 5HP HPU 575V **66390**

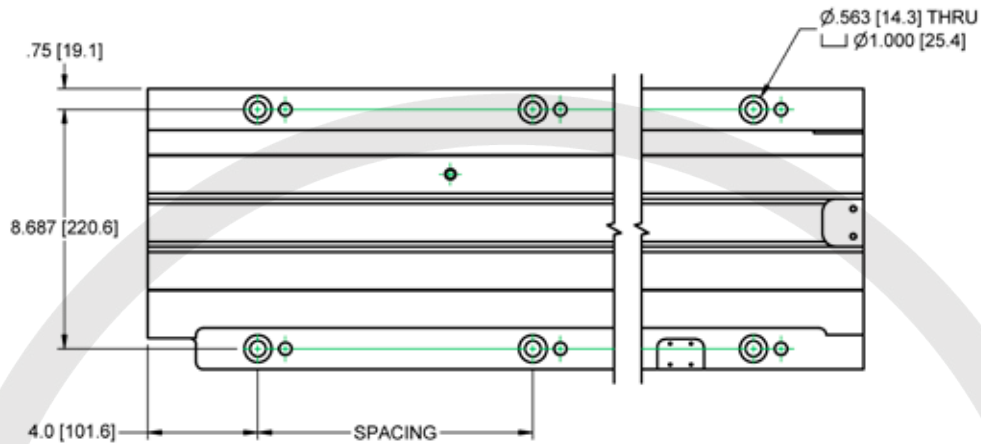
## 10 Hose and Pendant Cable Assembly (2-Axis)

- Hose and Cable Kit ½ x 20 ft. (609.6 cm) **65146**
- Hose and Cable Kit ½ x 50 ft. (1524.0 cm) **65152**
- Hose and Cable Kit ½ x 100 ft. (3048.0 cm) **65155**

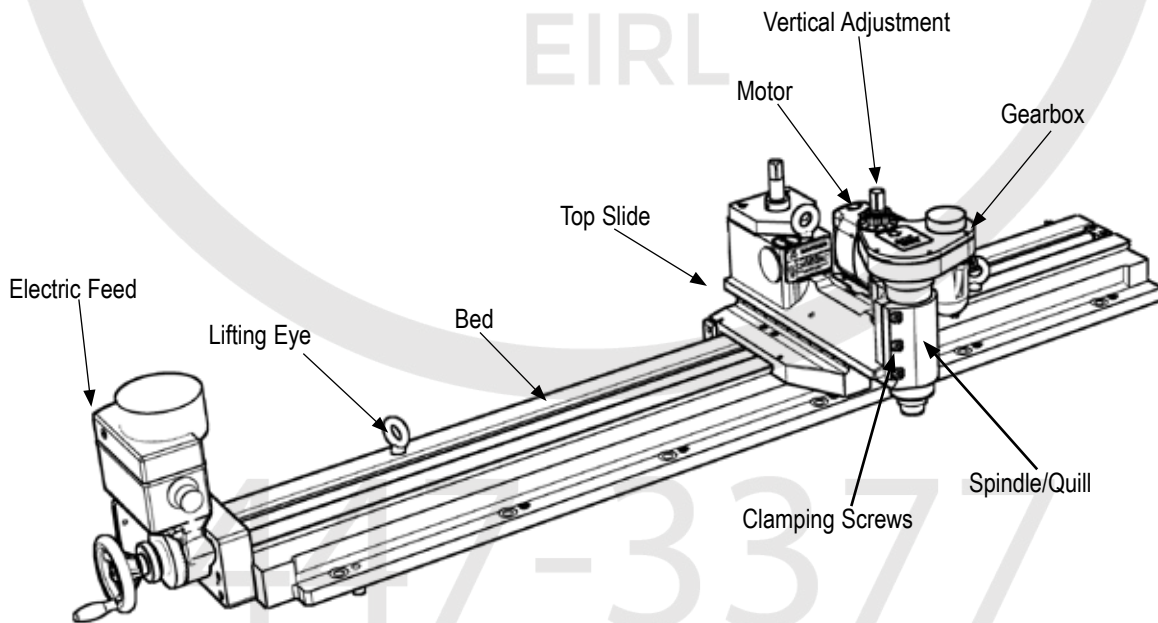
[Expand the capabilities of your PM4200 with the following Accessories:](#)

- 20 inches (508 mm) of travel, 29 inch (736.6 mm) Bed Sub-Plates **39659**
- 49 inches (1244.6 mm) of travel, 58 inch (1473.2 mm) Bed Sub-Plates **39795**
- 78 inches (1981.2 mm) of travel, 87 inch (2209.8 mm) Bed Sub-Plates **39793**
- Milling Head Swivel Plate Assembly (for HSK only) **66217**

# OPERATIONAL DIMENSIONS



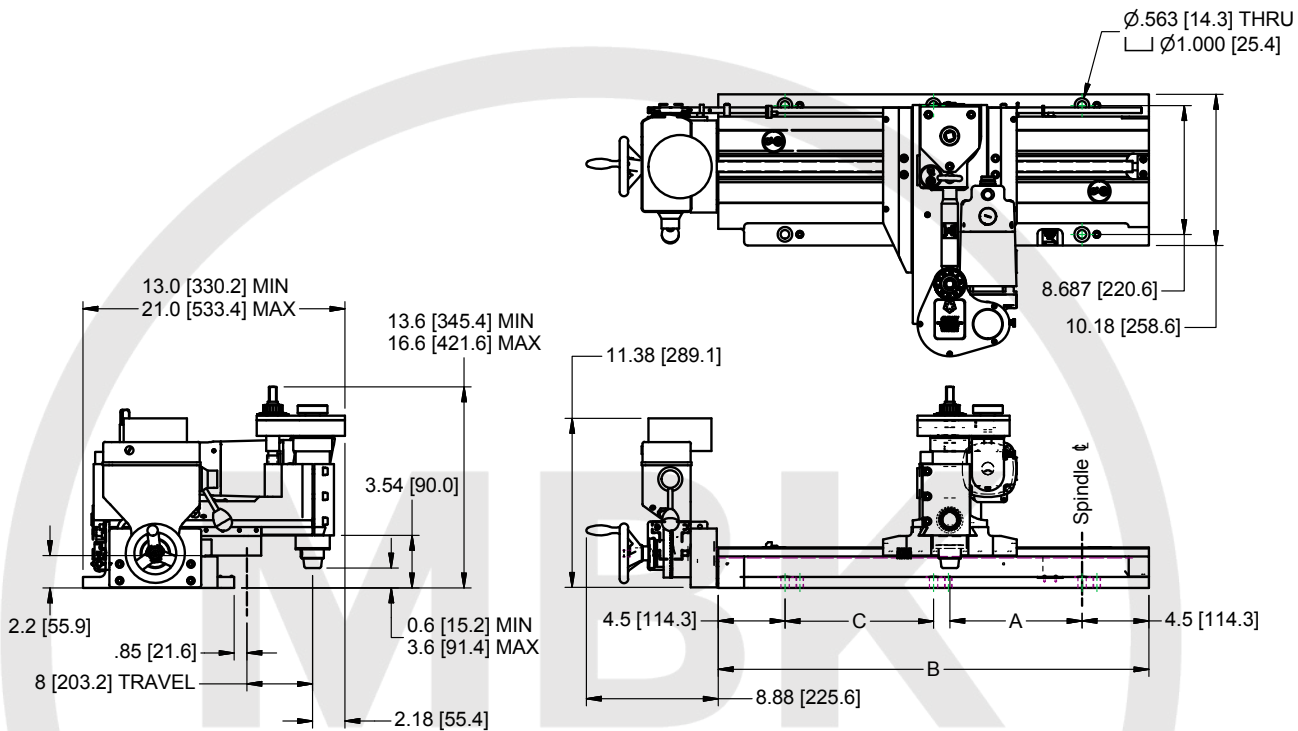
Model	Bed length	Mounting holes	Spacing
PM4200-20	29 inch (736.6 mm)	6	10 inch (254 mm)
PM4200-49	58 inch (1473.2 mm)	12	10 inch (254 mm)
PM4200-78	87 inch (2209.8 mm)	18	10 inch (254 mm)



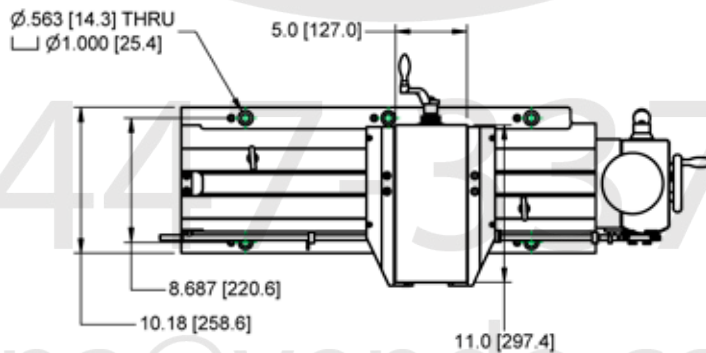
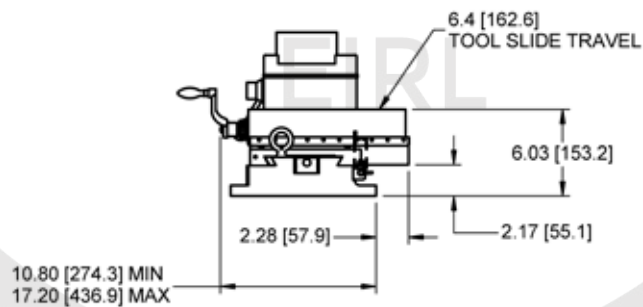
PM4200 with Weldon Spindle

oficina@vendo.com.pe

# OPERATIONAL DIMENSIONS

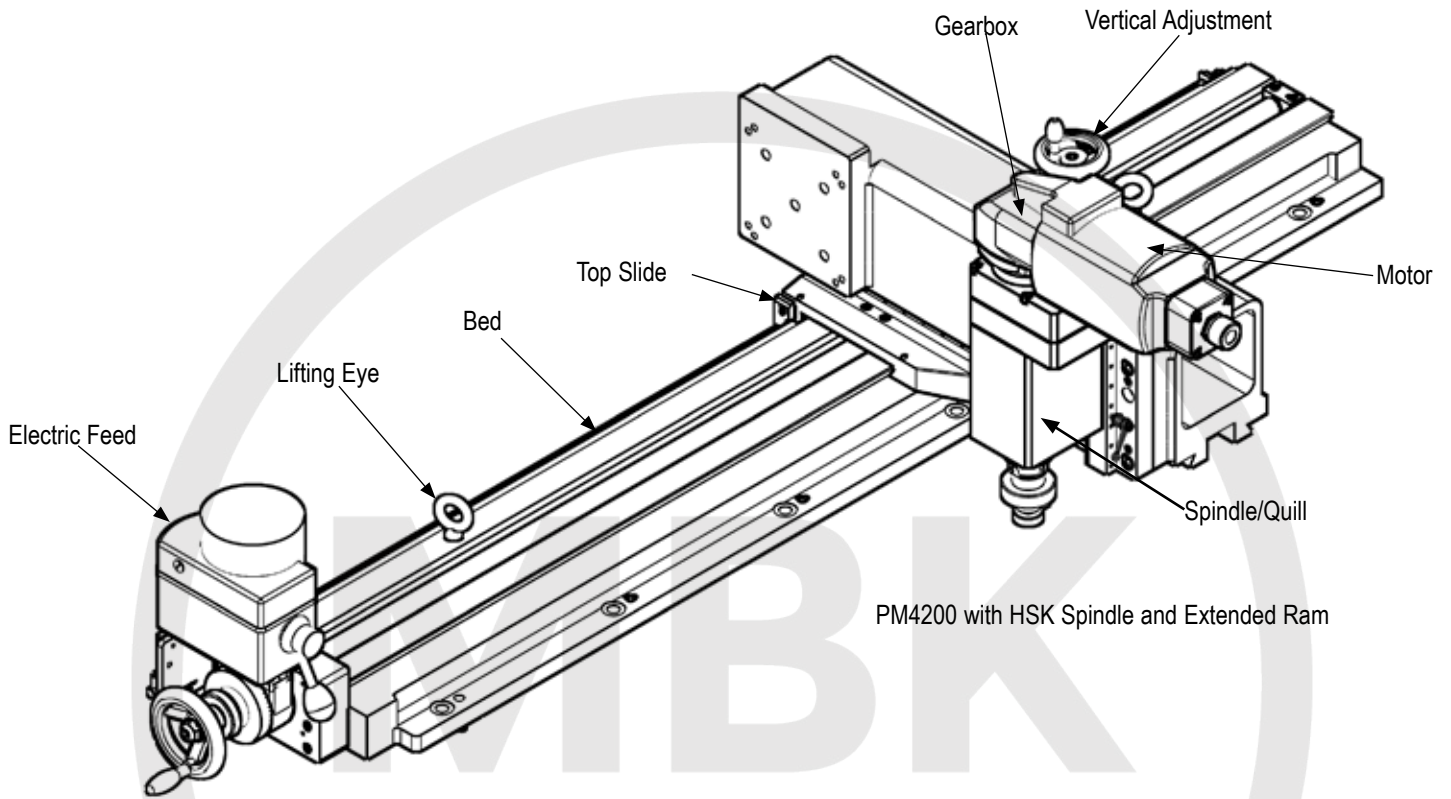


PM4200 with Weldon Shank

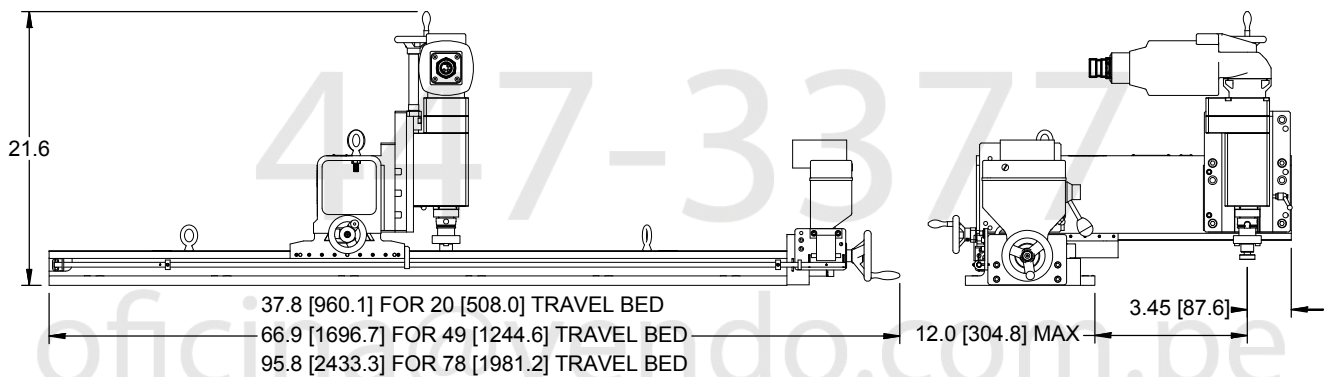
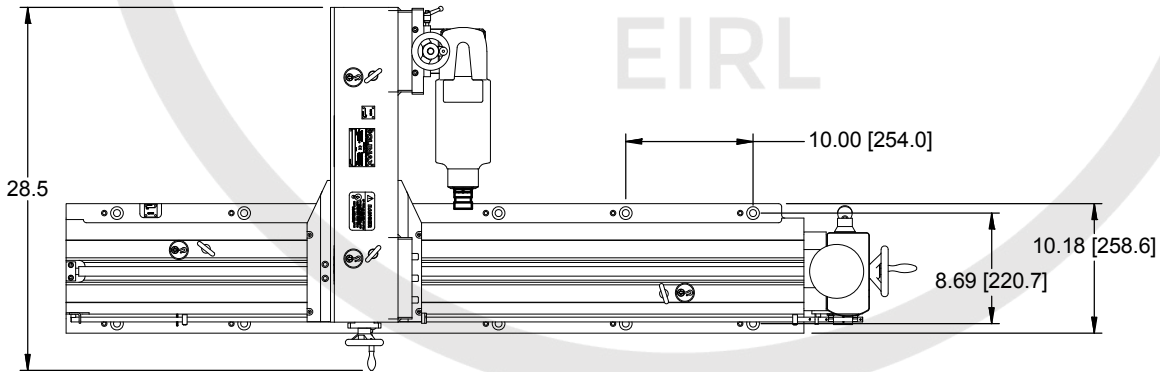


Blank Tool Post

# OPERATIONAL DIMENSIONS



PM4200 with HSK Spindle and Extended Ram



PM4200 W/ 12 INCH (304.8 MM) TRAVEL RAM FOR HSK SPINDLE

# CLIMAX TRAINING AND SUPPORT

CLIMAX has been teaching the fundamentals and fine points of portable machine tool operation for practically as long as we've been inventing and building the tools.

We offer several training facilities across the United States - the Global Learning Center, situated in our corporate headquarters near Portland, Oregon, our Amherst, New Hampshire Training Facility, and our Houston, Texas Training Facility. All facilities offer training for machine tool operators on safety and machine setup and operation. Trainees also receive technical tips and tools to improve operational efficiencies, with the vast majority of every program devoted to hands-on activities and skill development.

The CLIMAX instructional team includes specialists in shipbuilding, power generation, civil engineering, bridge re-building, petrochemical and other industries.

Whether it's a regularly scheduled course at one of our training facilities, or custom curriculum conducted at your facility, your machinists will benefit from courses developed by some of the most respected authorities in the business.

Call us today to register for a regularly scheduled class, or talk to us about how we can customize a training program for your specialized application.



## Call CLIMAX for:

### Rentals

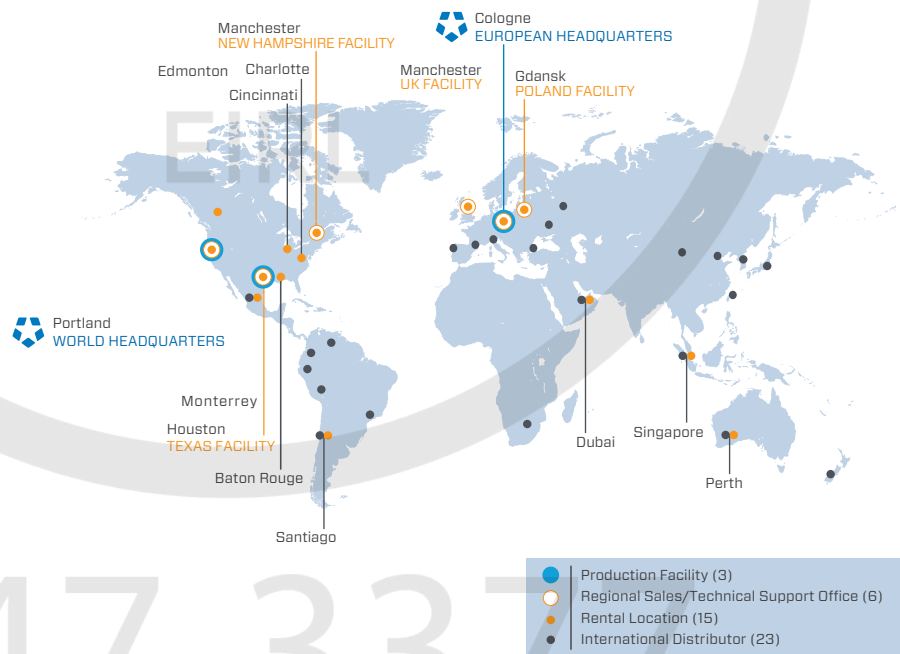
With 15 worldwide rental depot locations, you are never far away from a CLIMAX tool.

### On-site Training

Need some refresher courses in setting up and operating your CLIMAX machine tool?

### Special Projects

CLIMAX has been solving complicated machining, welding and valve testing problems for our customers since 1964.



Connect with us:    

### World Headquarters

2712 E. Second Street  
Newberg, Oregon 97132 USA  
Worldwide Telephone: +1.503.538.2185  
N. America Toll-Free: 1.800.333.8311  
Fax: +1.503.538.7600  
Email: [info@cpmt.com](mailto:info@cpmt.com)

### European Headquarters

Am Langen Graben 8  
52353 Düren, Germany  
Telephone: (+49) (0) 2421.9177.0  
Fax: (+49) (0) 2421.9177.29  
Email: [info@cpmt.de](mailto:info@cpmt.de)